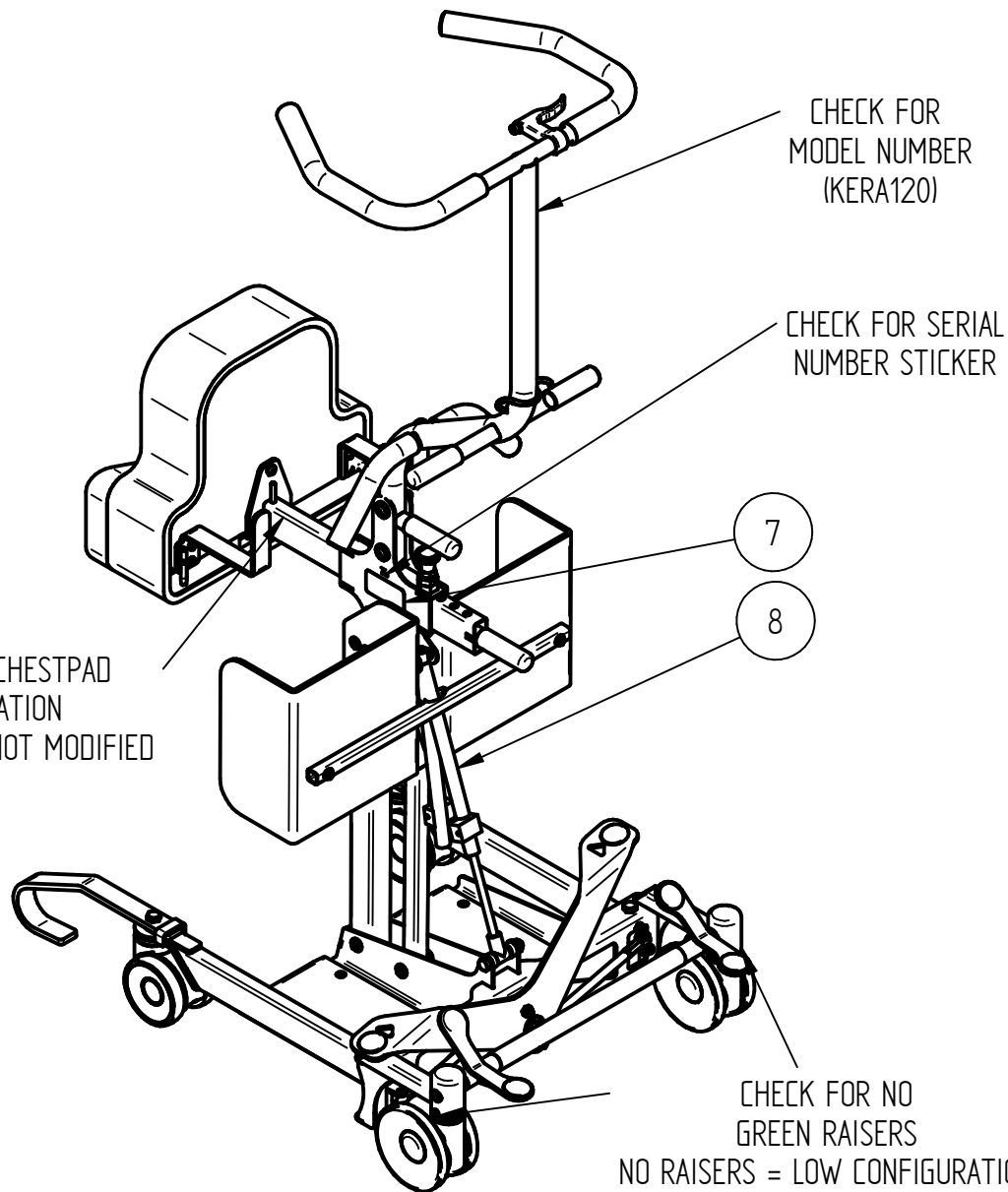


FRONT VIEW

CHECK FOR CHESTPAD MODIFICATION
NO WRITING = NOT MODIFIED

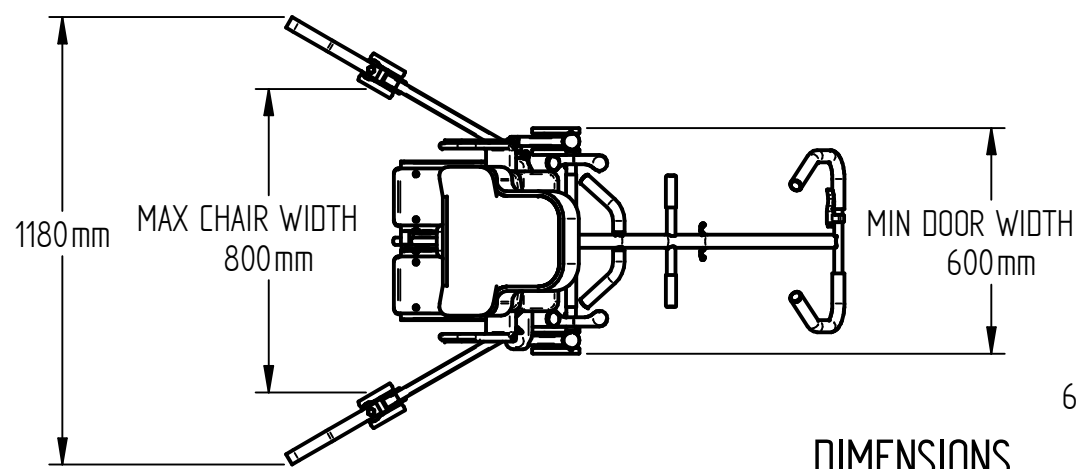


REAR VIEW

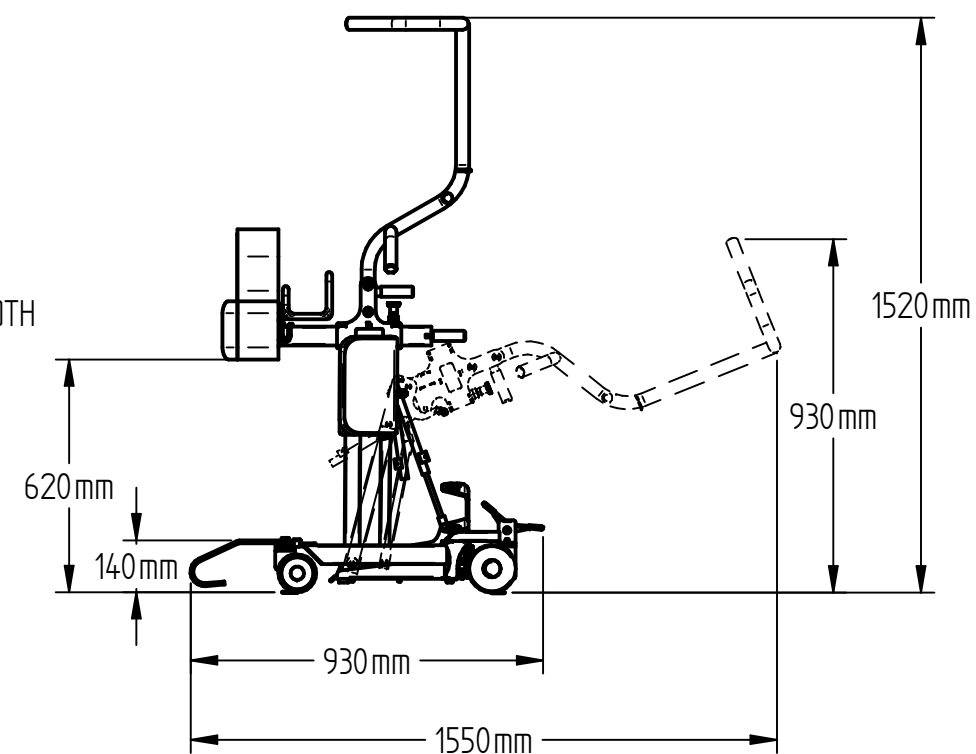
CHECK FOR MODEL NUMBER (KERA120)

CHECK FOR SERIAL NUMBER STICKER

CHECK FOR NO GREEN RAISERS
NO RAISERS = LOW CONFIGURATION

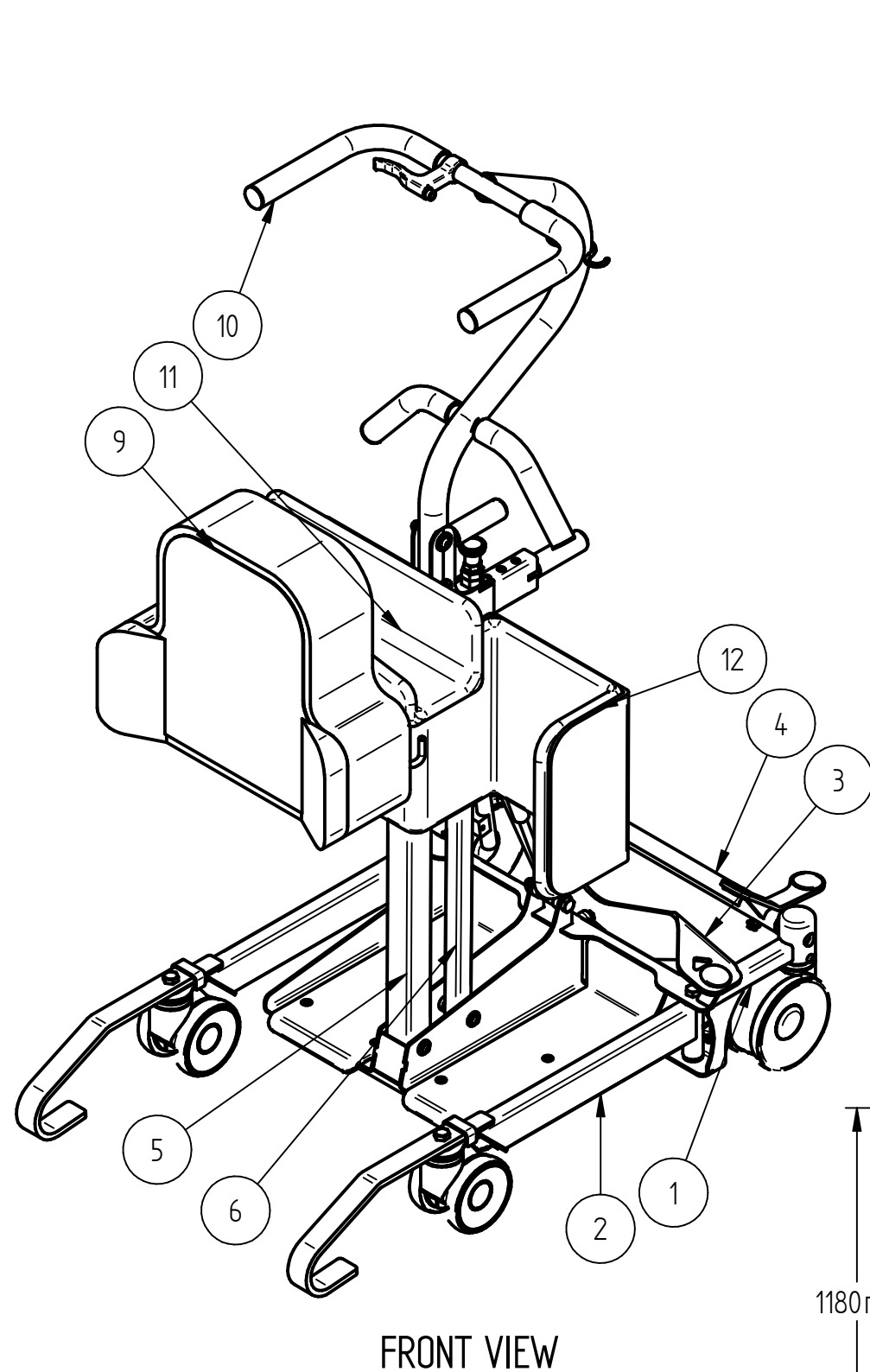


DIMENSIONS

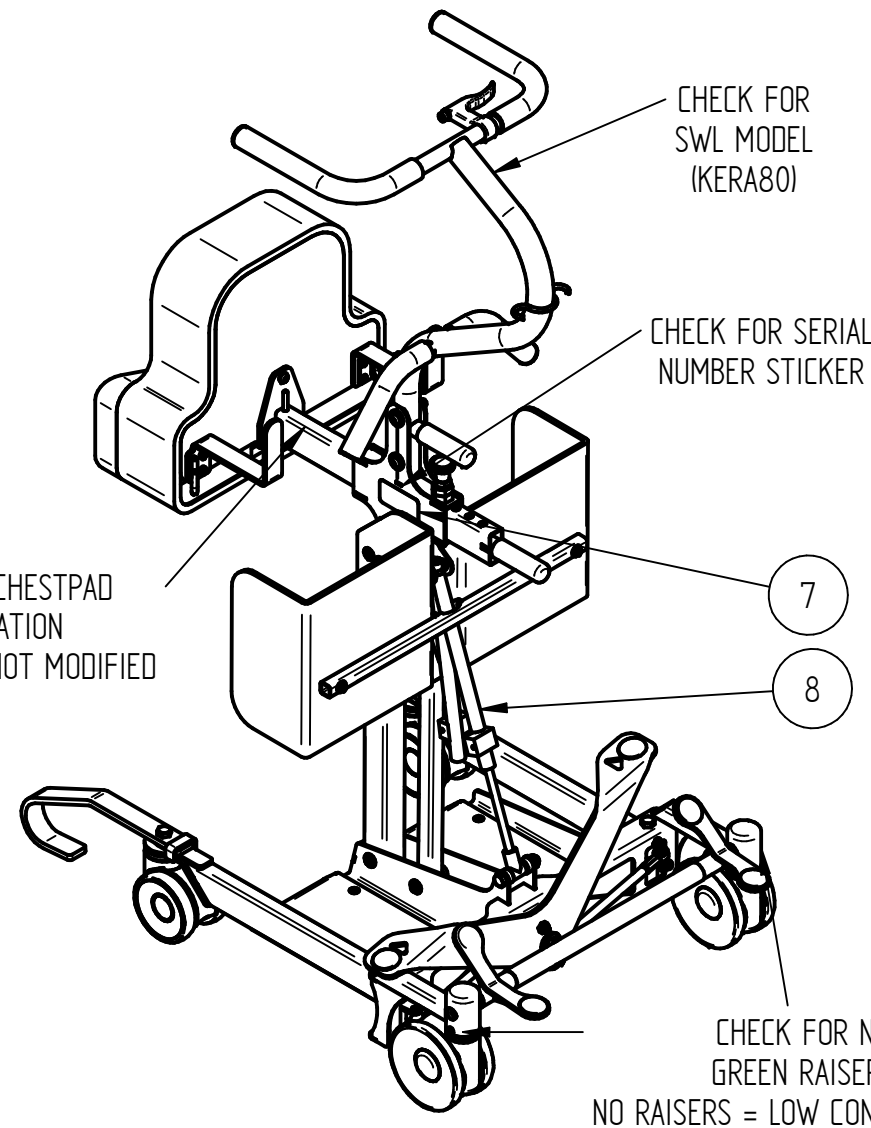


Item	Description	Code
1	Base Assembly - Low	
2	Leg Assembly - Low	KSI-AS-LEG
3	Spreader Assembly	KSI-AS-LSP
4	Brake Pedal Assembly	KSI-AS-BP
5	Front Arm Assembly	KSI-AS-FARM
6	Rear Arm Assembly	KSI-AS-RARM
7	Hub Assembly	KSI-AS-HUB
8	Locking Strut	KSI-LS
9	Chestpad Assembly	KSI-AS-CPS
10	Handle120 Assembly	KSI-AS-HANDLE120
11	Cradle Cover	KSI-CRADLE
12	Knee Support Covers	KSI-KPAD
N/A	Backstrap	KSI-BS

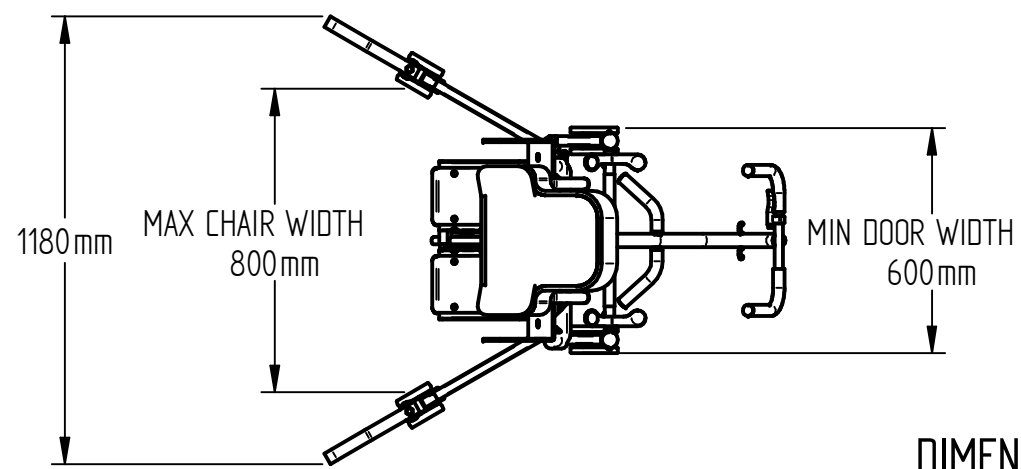
DIMENSIONS ACCURATE TO ±10mm



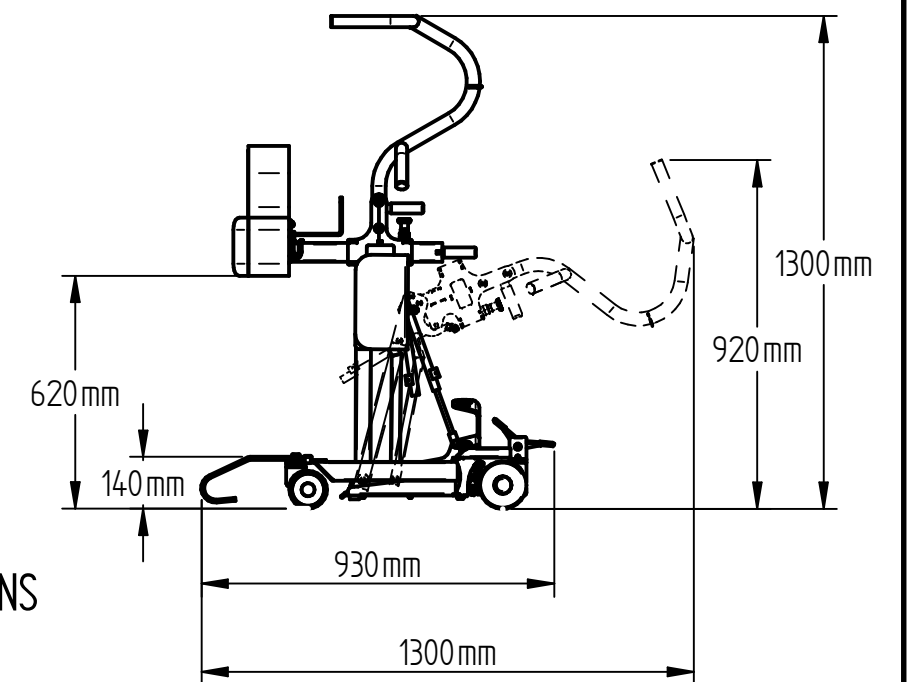
FRONT VIEW



REAR VIEW

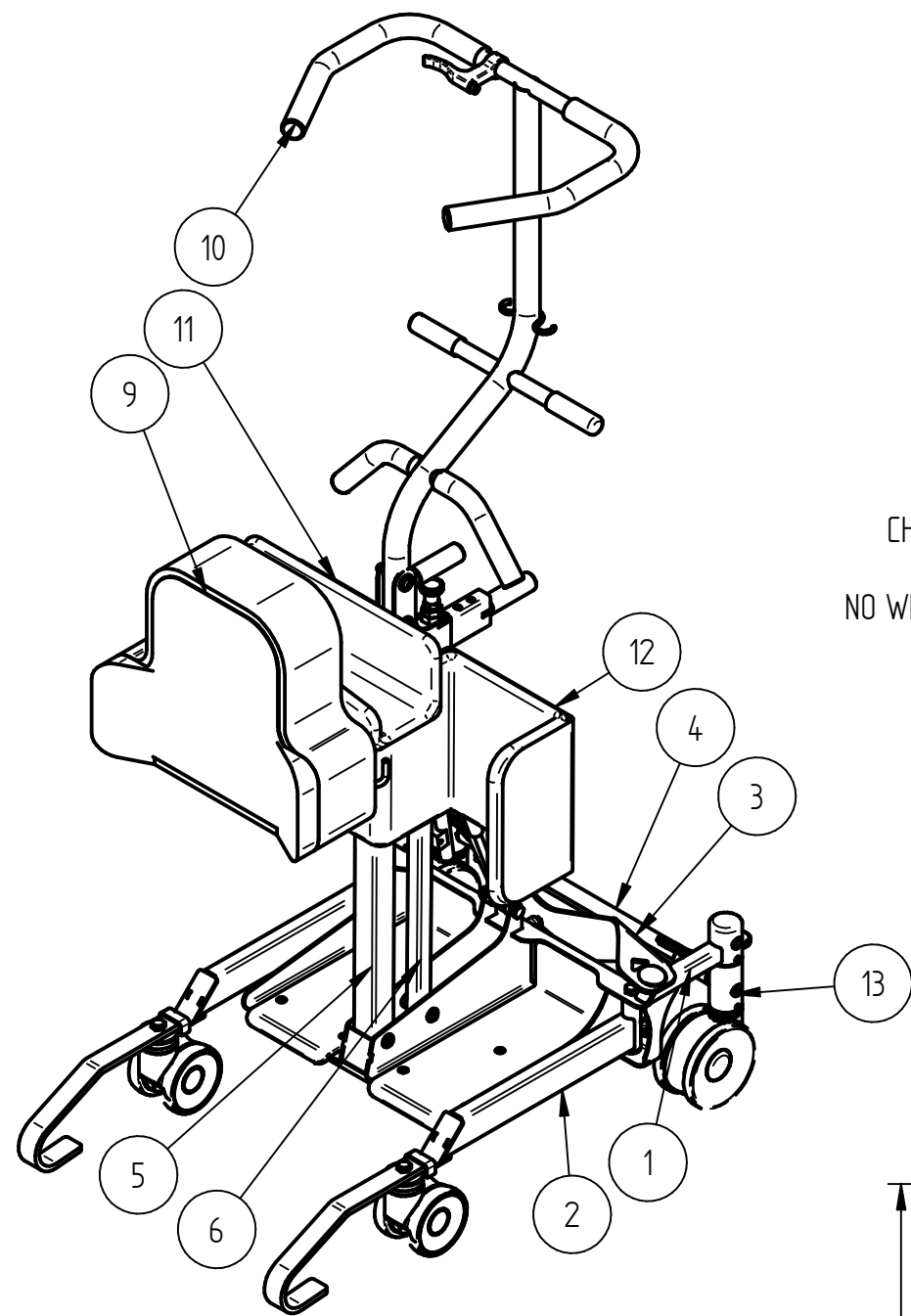


DIMENSIONS

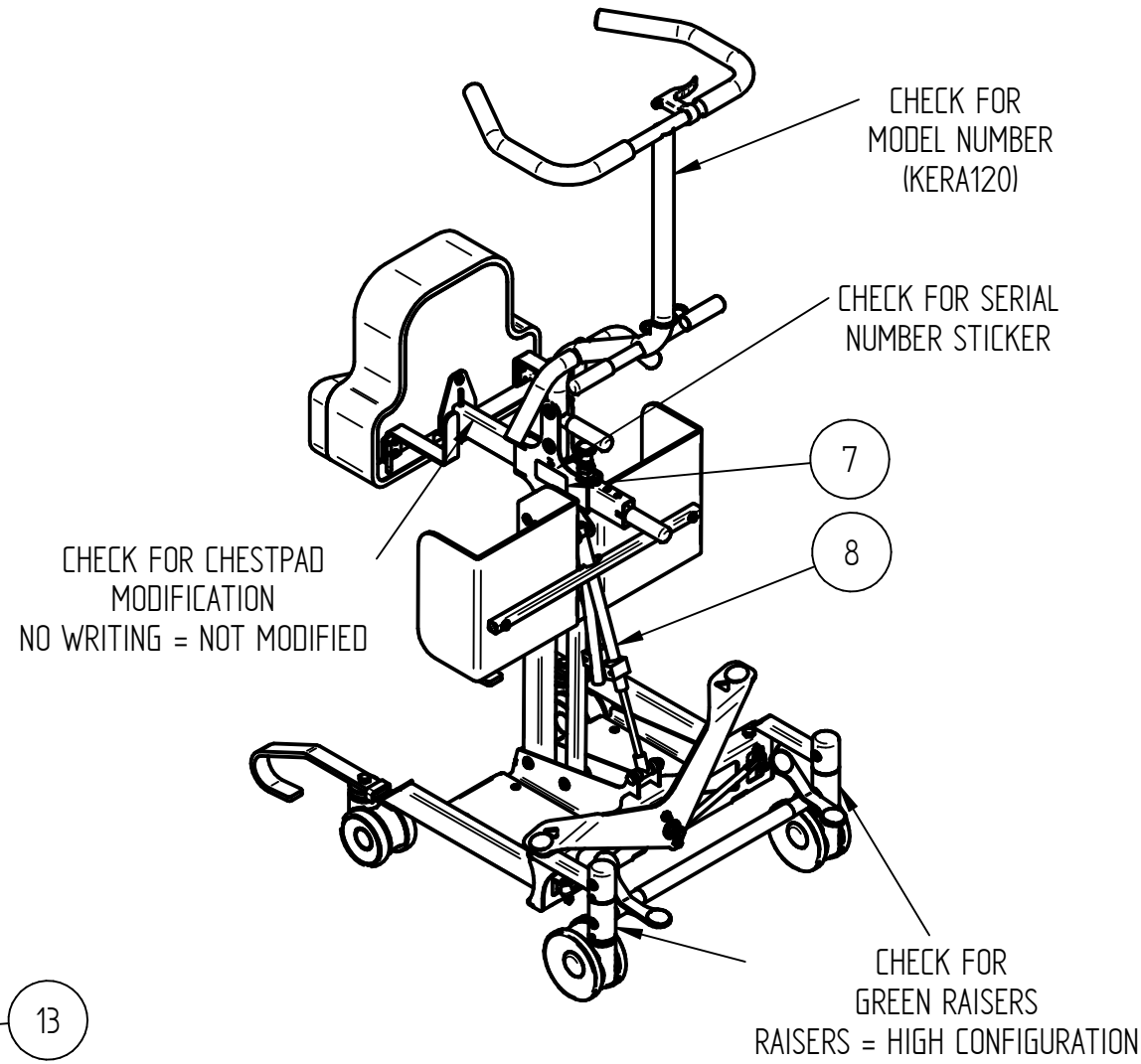


Item	Description	Code
1	Base Assembly - Low	
2	Leg Assembly - Low	KSI-AS-LEG
3	Spreader Assembly	KSI-AS-LSP
4	Brake Pedal Assembly	KSI-AS-BP
5	Front Arm Assembly	KSI-AS-FARM
6	Rear Arm Assembly	KSI-AS-RARM
7	Hub Assembly	KSI-AS-HUB
8	Locking Strut	KSI-LS
9	Chestpad Assembly	KSI-AS-CPS
10	Handle80 Assembly	KSI-AS-HANDLE80
11	Cradle Cover	KSI-CRADLE
12	Knee Support Covers	KSI-KPAD
N/A	Backstrap	KSI-BS

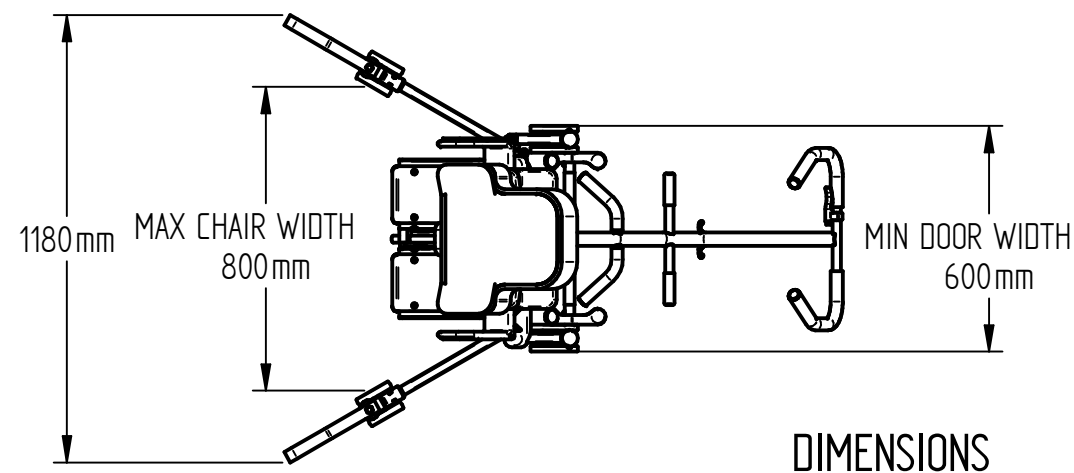
DIMENSIONS ACCURATE TO ±10mm



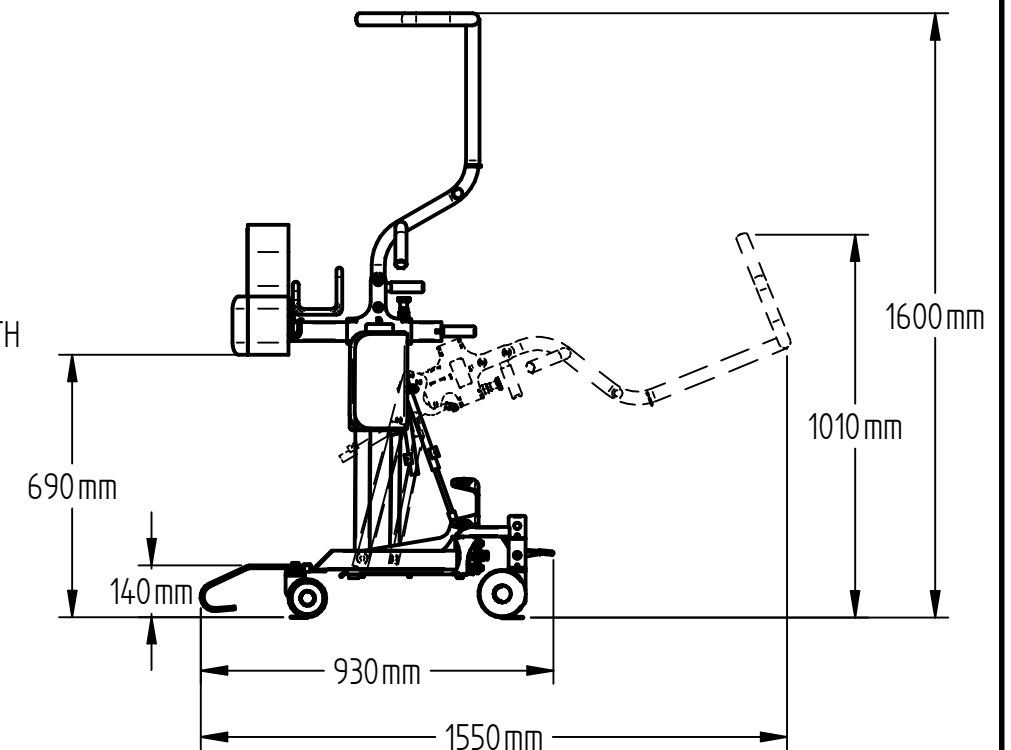
FRONT VIEW



REAR VIEW



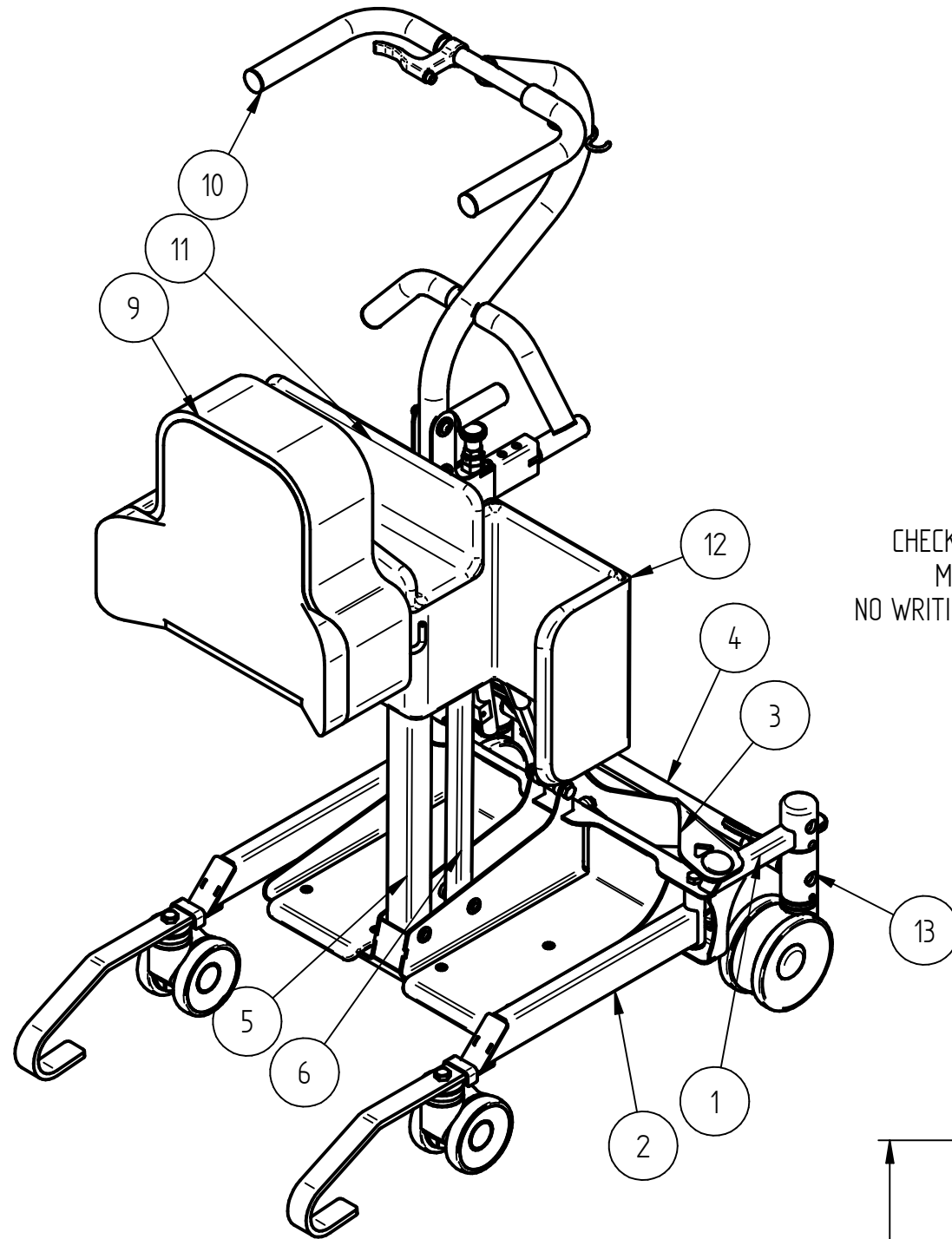
DIMENSIONS



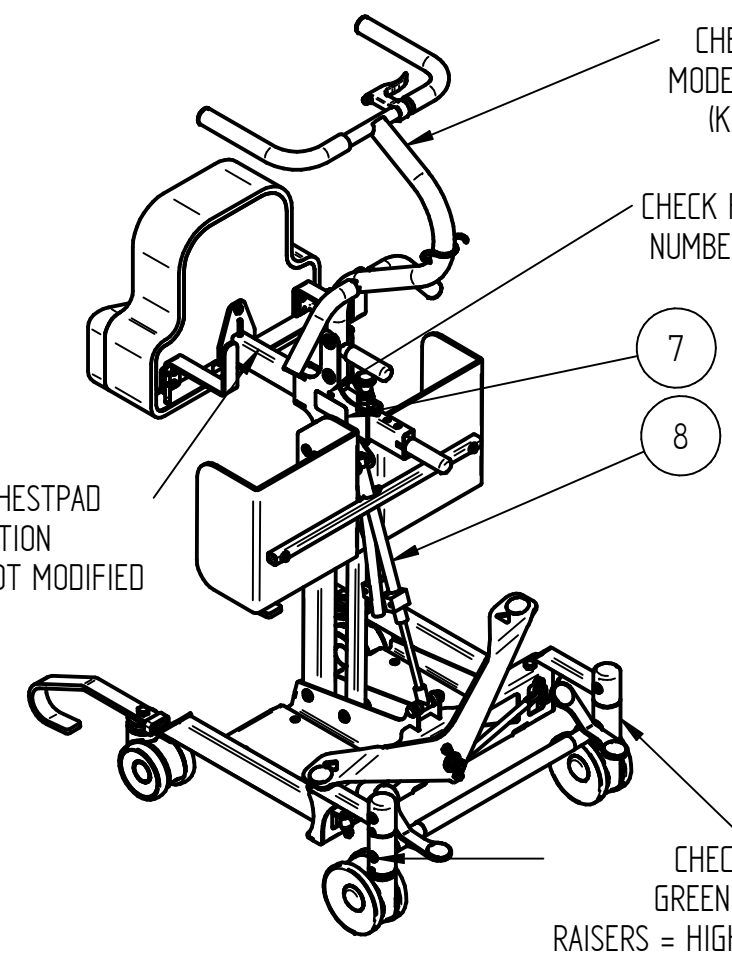
Item	Description	Code
1	Base Assembly - High	
2	Leg Assembly - High	KSI-AS-LEG
3	Spreader Assembly	KSI-AS-LSP
4	Brake Pedal Assembly	KSI-AS-BS
5	Front Arm Assembly	KSI-AS-FARM
6	Rear Arm Assembly	KSI-AS-RARM
7	Hub Assembly	KSI-AS-HUB
8	Locking Strut	KSI-LS
9	Chestpad Assembly	KSI-AS-CPS
10	Handle120 Assembly	KSI-AS-HANDLE120
11	Cradle Cover	KSI-CRADLE
12	Knee Support Covers	KSI-KPAD
13	Raisers	KSI-RAISERS
N/A	Backstrap	KSI-BS

DIMENSIONS ACCURATE TO ±10mm

Item	Description	Code
1	Base Assembly - High	
2	Leg Assembly - High	KSI-AS-LEG
3	Spreader Assembly	KSI-AS-LSP
4	Brake Pedal Assembly	KSI-AS-BP
5	Front Arm Assembly	KSI-AS-FARM
6	Rear Arm Assembly	KSI-AS-RARM
7	Hub Assembly	KSI-AS-HUB
8	Locking Strut	KSI-LS
9	Chestpad Assembly	KSI-AS-CPS
10	Handle 80 Assembly	KSI-AS-HANDLE80
11	Cradle	KSI-CRADLE
12	Knee Support Covers	KSI-KPAD
13	Raisers	KSI-RAISERS
N/A	Backstrap	KSI-BS



FRONT VIEW



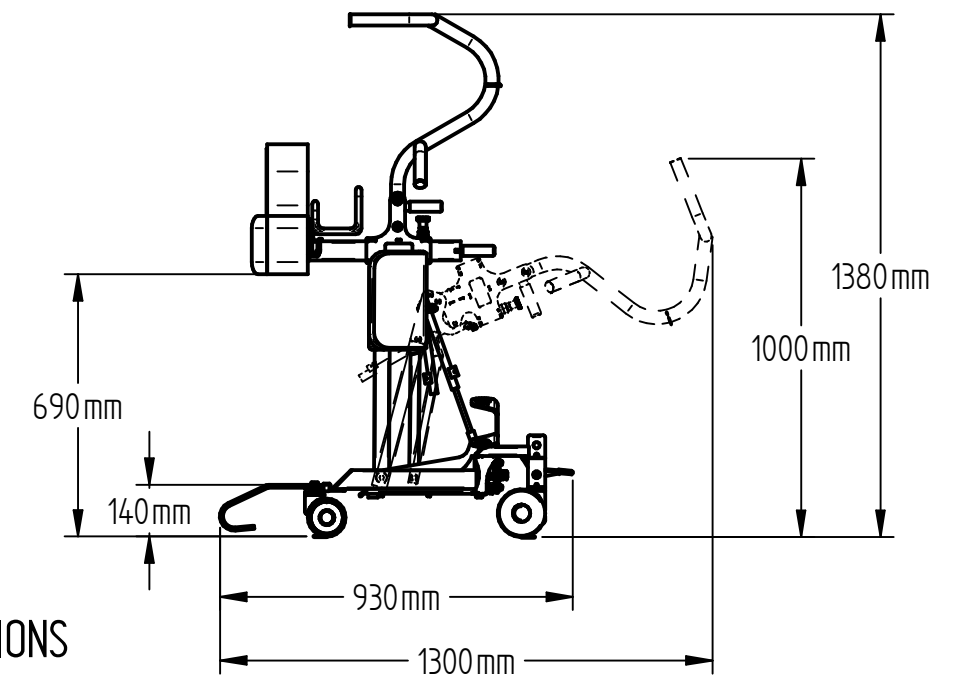
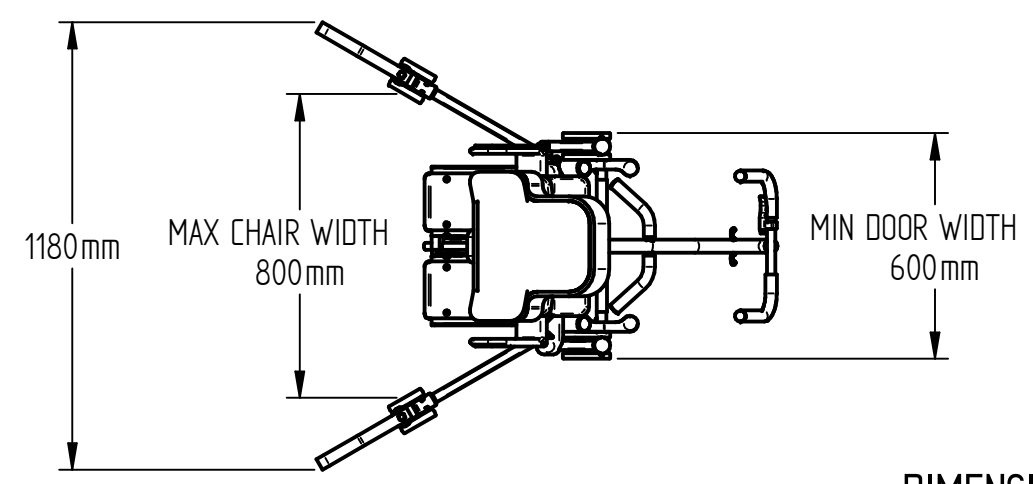
REAR VIEW

CHECK FOR CHESTPAD MODIFICATION
NO WRITING = NOT MODIFIED

CHECK FOR MODEL NUMBER (KERA80)

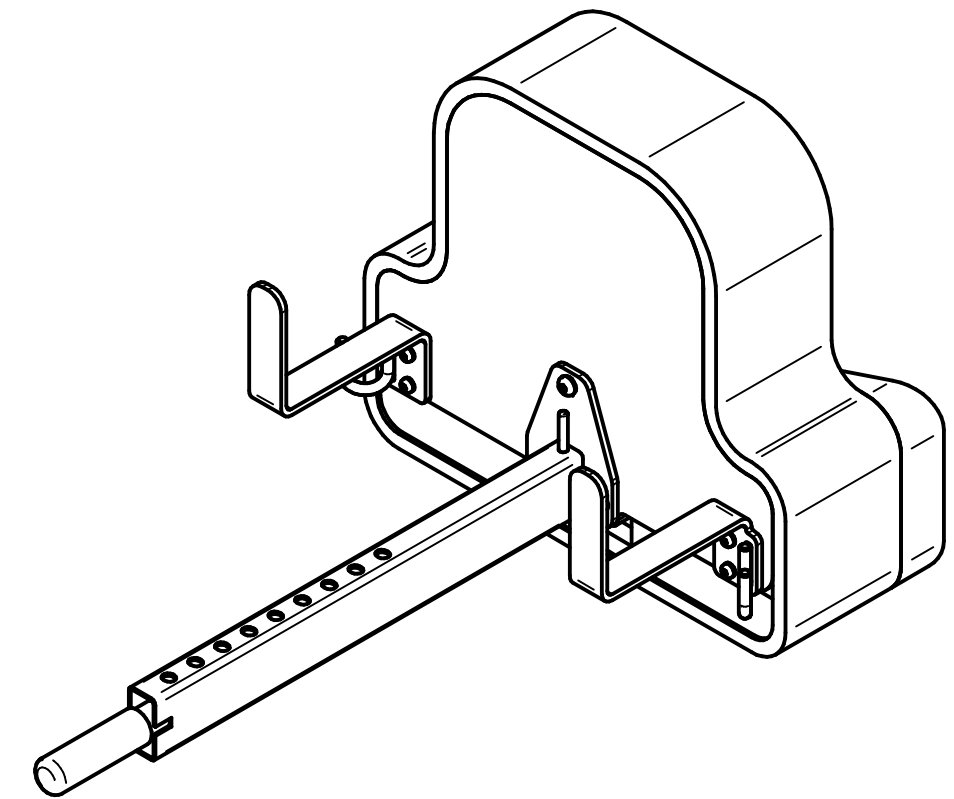
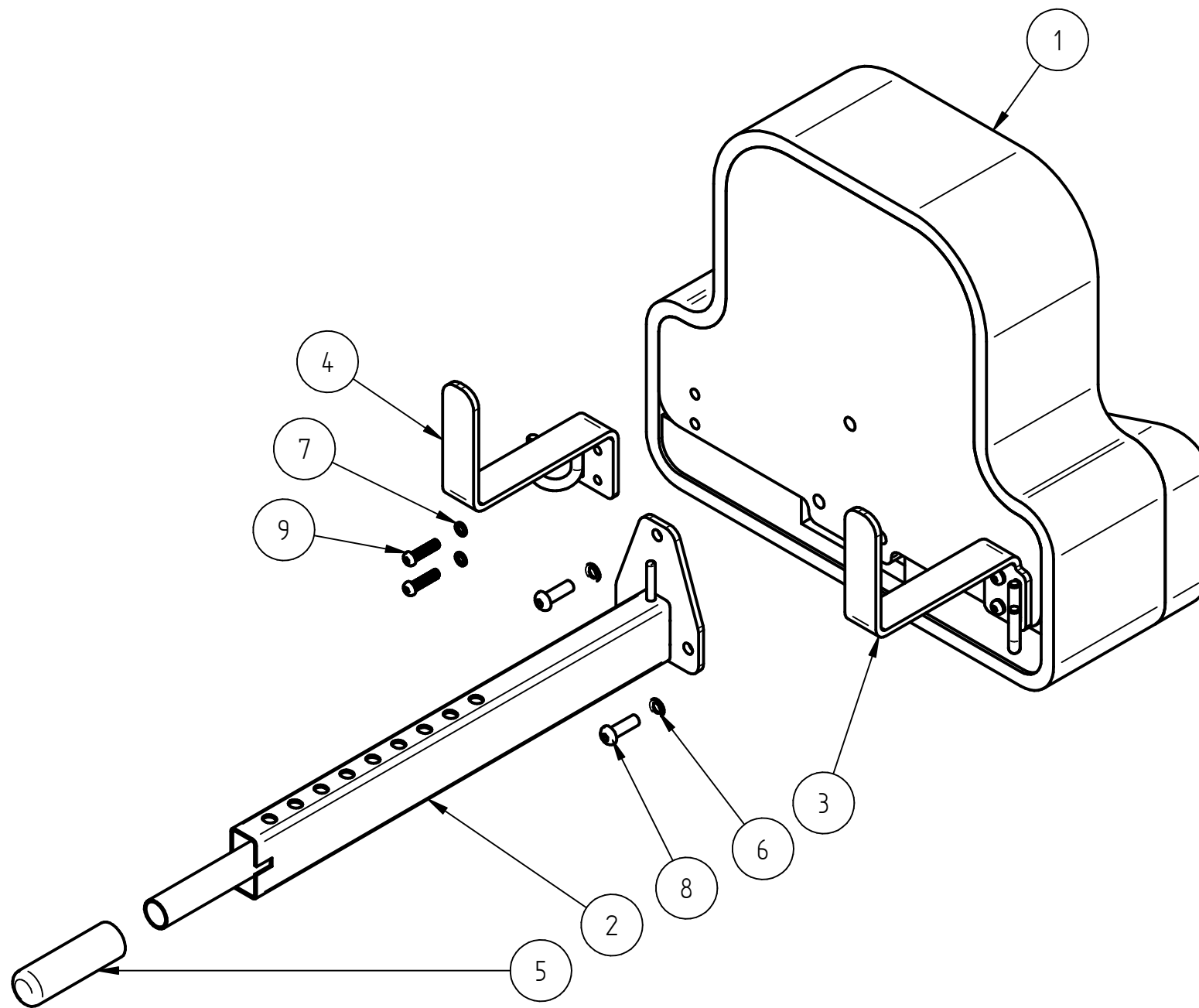
CHECK FOR SERIAL NUMBER STICKER

CHECK FOR GREEN RAISERS
RAISERS = HIGH CONFIGURATION



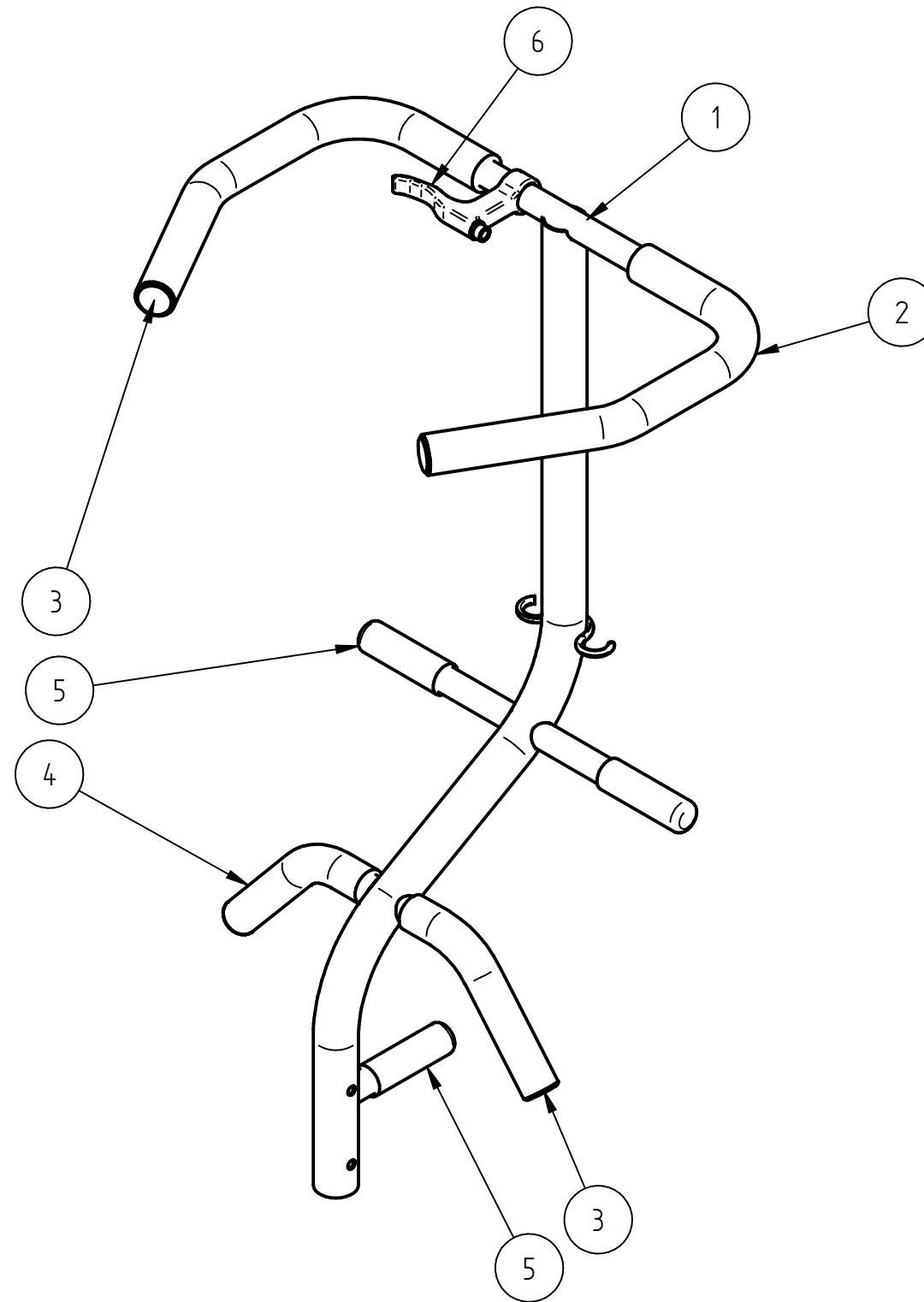
DIMENSIONS

DIMENSIONS ACCURATE TO ±10mm



KSI-AS-CPS COMES WITH CRADLE COVER (NOT SHOWN)

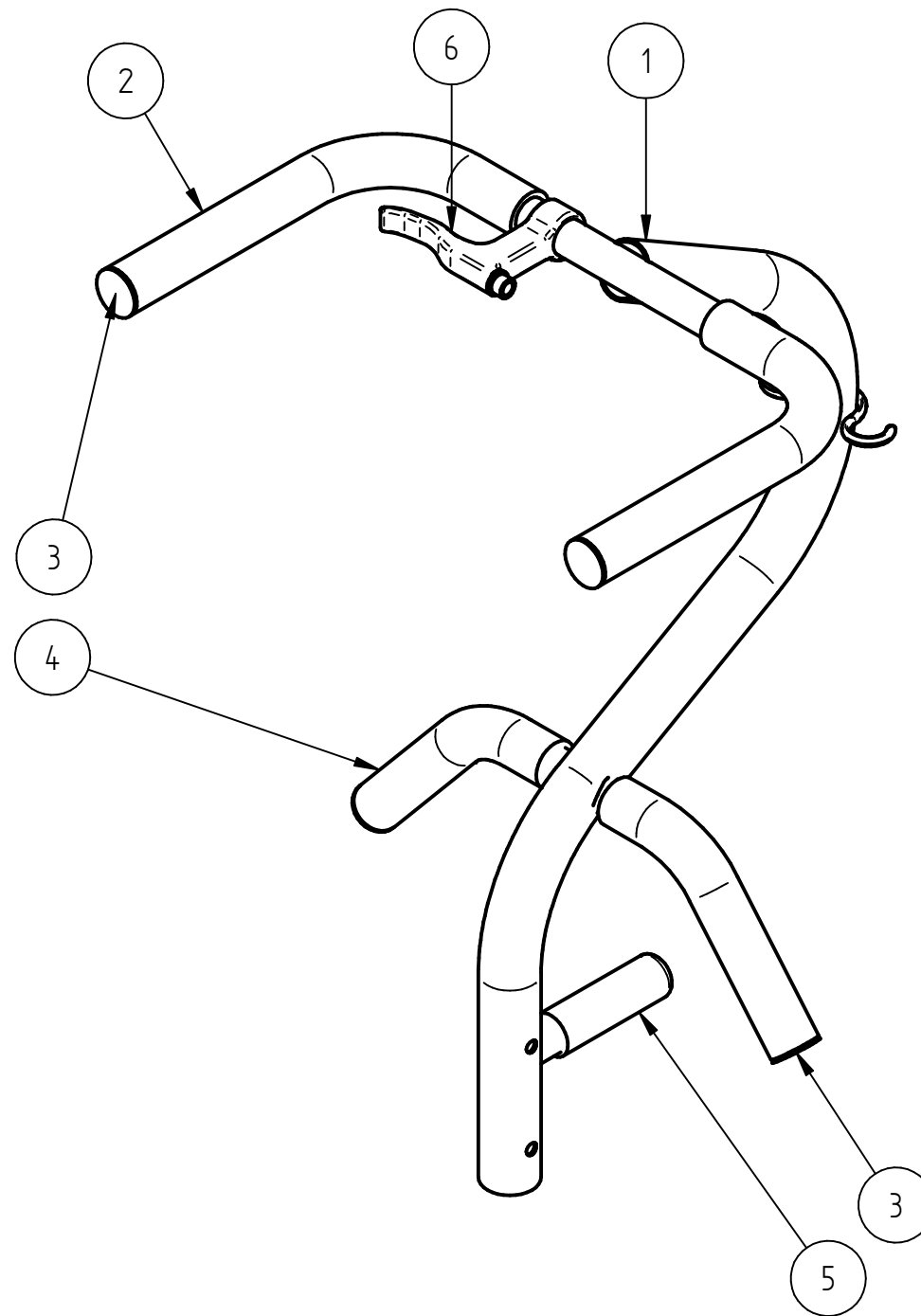
Item	Description	Code
1	Chestpad Covered Assembly	KSI-EPS
2	Sliding Connector Weldment	KSI-SLIDER
3	Cradle RH Weldment	
4	Cradle LH Weldment	
5	PVC Grip	KSI-GRIP
6	M8 Spring Washer	
7	M6 Spring Washer	
8	M8 x 25mm Button Head Cap Screw	
9	M6 x 25mm Button Head Cap Screw	
N/A	Cradle Cover	KSI-CRADLE



CONNECTION HARDWARE INCLUDED WITH HUB ASSEMBLY (KSI-AS-HUB)

*BRAKE CABLE INCLUDED BUT NOT SHOWN

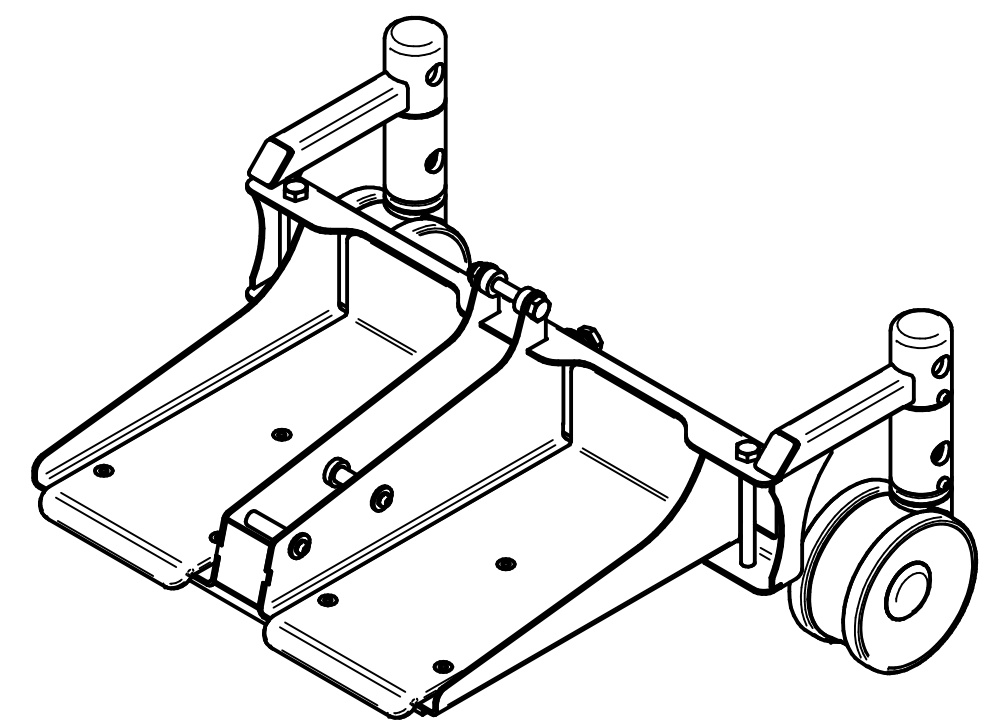
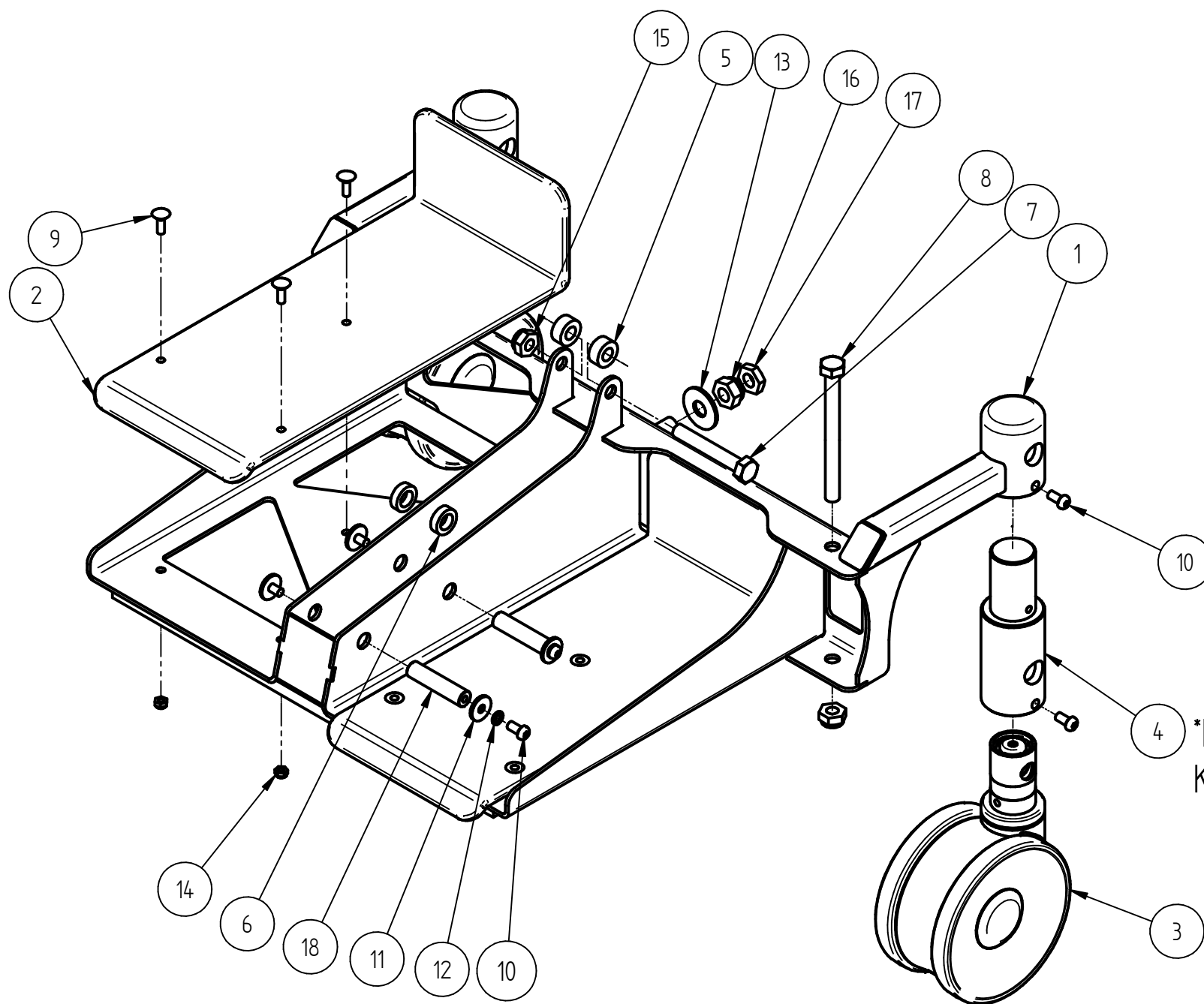
Item	Description	Code
1	Handle120 Weldment	
2	Handle120 Foam Grip	KSI-GRP-120
3	End Cap	
4	Foam Patient Grip	KSI-GRP-USR
5	PVC Grip	KSI-GRP
6	Lock Lever Assembly*	KSI-AS-BCABLE



CONNECTION HARDWARE INCLUDED WITH HUB ASSEMBLY (KSI-AS-HUB)

*BRAKE CABLE INCLUDED BUT NOT SHOWN

Item	Description	Code
1	Handle80 Weldment	
2	Handle80 Foam Grip	KSI-GRP-80
3	End Cap	
4	Foam Patient Grip	KSI-GRP-USR
5	PVC Grip	KSI-GRIP
6	Lock Lever Assembly*	KSI-AS-BCABLE

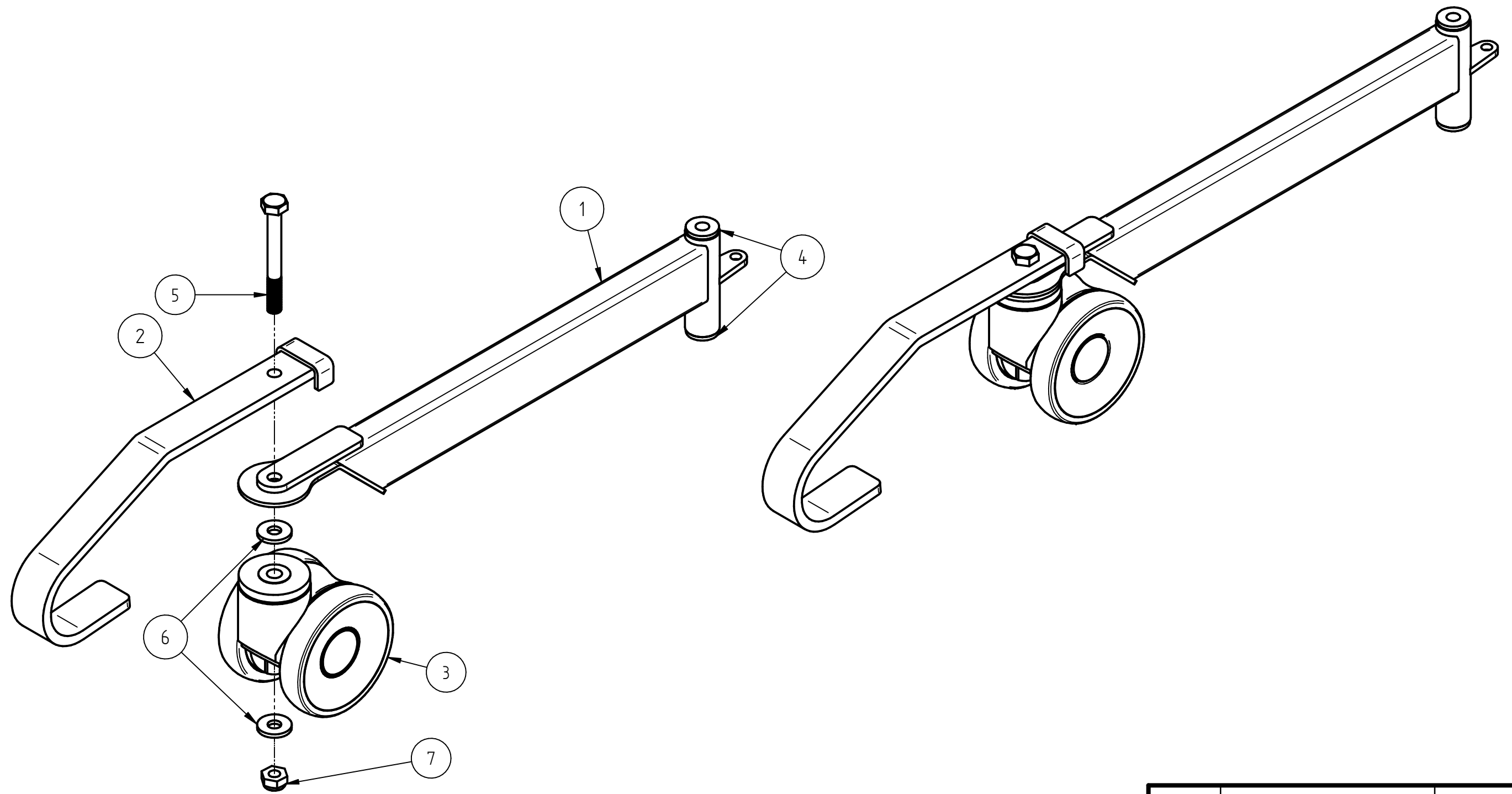


Item	Description	Code
1	Baseframe Weldment	
2	Footplate	KSI-FP
3	Tente Rear Castor	TENTE125CL
4	Raisers*	KSI-RAISERS
5	Locking Strut Spacer	
6	Rear Arm Spacer	
7	M10 x 65mm Grade 8.8 Bolt	
8	M10 x 110mm Grade 8.8 bolt	
9	M5 x 16mm Countersunk Screw	
10	M6 x 12mm Button HD Socket Screw	
11	M6 Heavy Washer	
12	M6 Spring Washer	
13	M12 Heavy Washer	
14	M5 Nyloc Nut	
15	M10 Nyloc Nut	
16	M12 Nyloc Nut	
17	M12 Half Nut	
18	12mm Stainless Axle Pin	

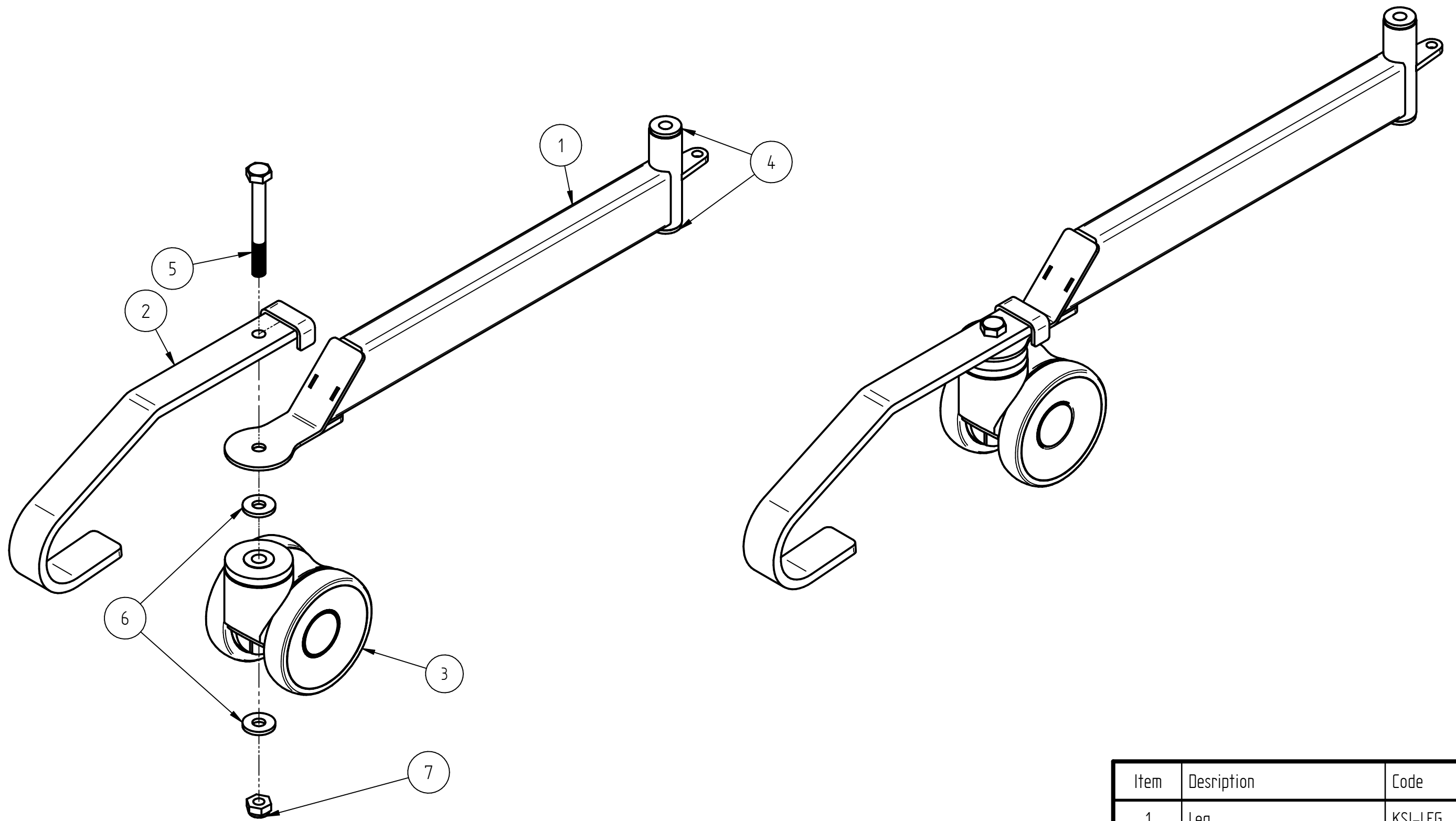
*Raisers only used for the KERA-High configurations

BASE ASSEMBLY

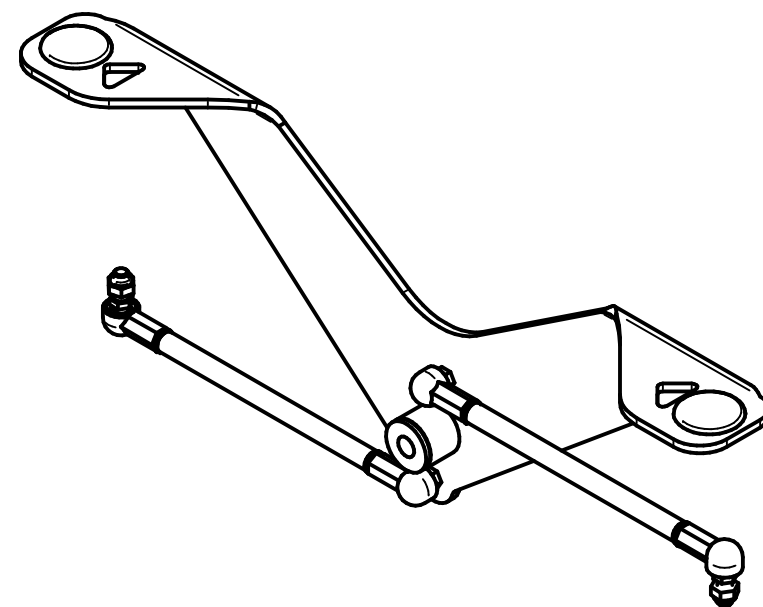
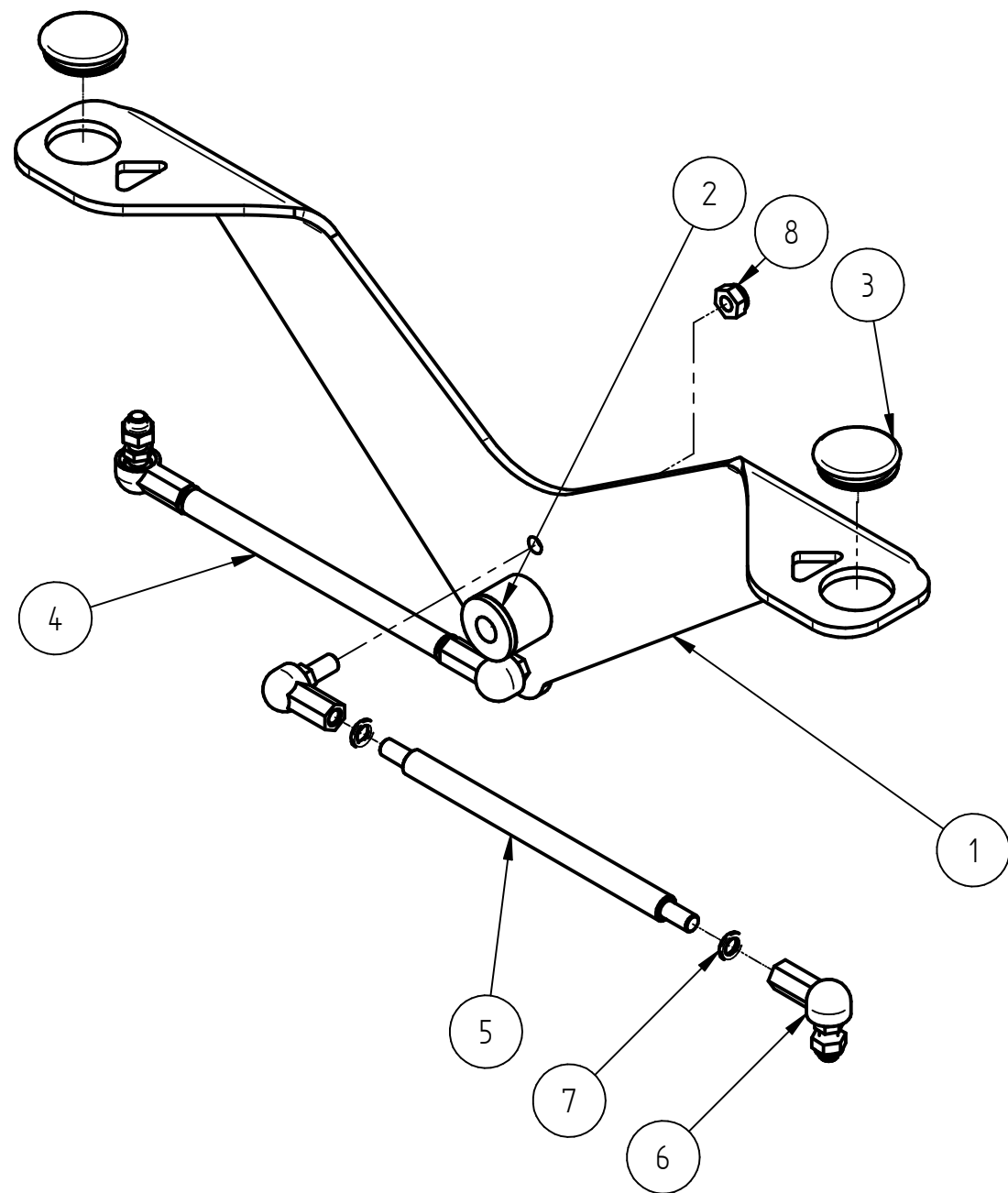
NOTES:
- Refer to replacement/maintenance documents for detailed assembly instructions



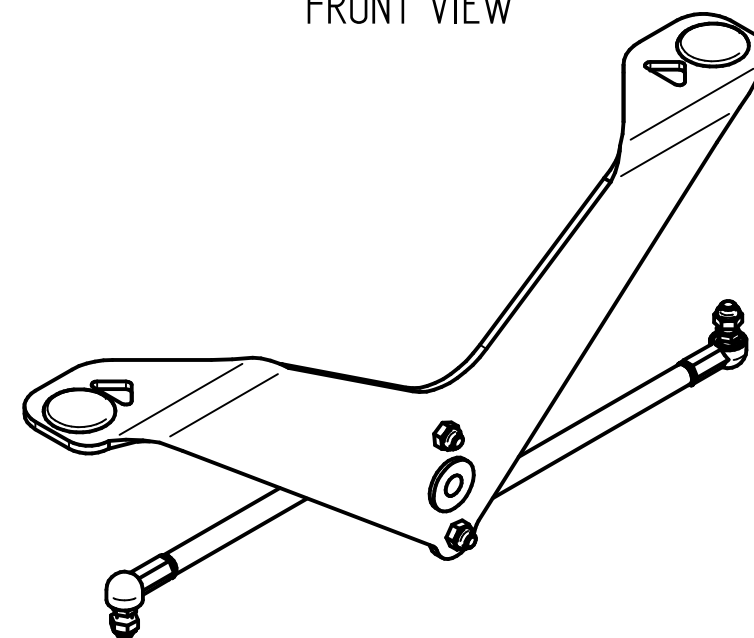
Item	Description	Code
1	Leg	KSI-LEG
2	Anti-tip Bar	KSI-ANTI
3	Tente Front Castor	TENTE100
4	ID 10mm Bushing	
5	M10 x 90mm Grade 8.8 Bolt	
6	M10 Heavy Washer	
7	M10 Nyloc Nut	



Item	Description	Code
1	Leg	KSI-LEG
2	Anti-tip Bar	KSI-ANTI
3	Tente Front Castor	TENTE100
4	ID 10mm Bushing	
5	M10 x 90mm Grade 8.8 Bolt	
6	M10 Heavy Washer	
7	M10 Nyloc Nut	

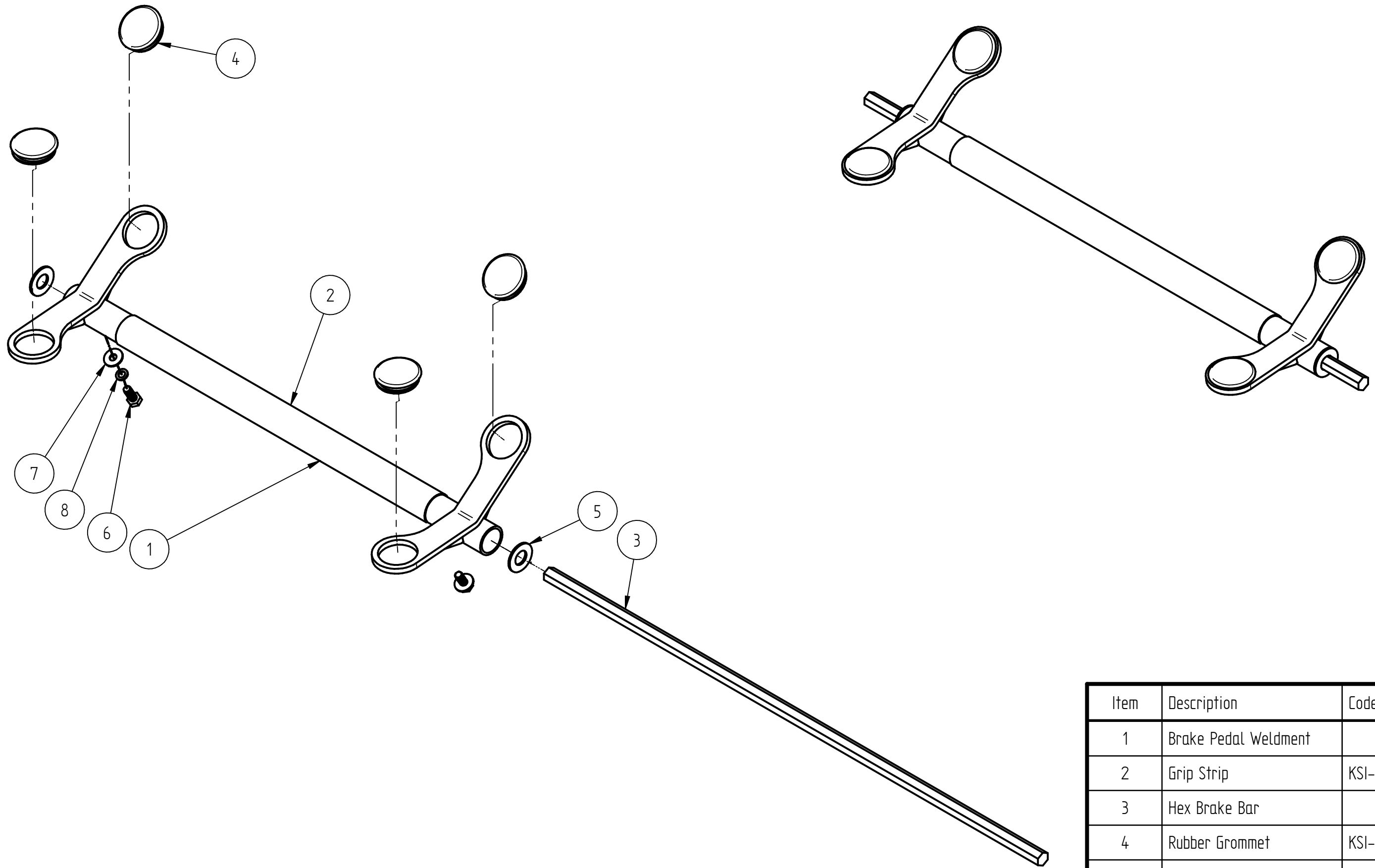


FRONT VIEW

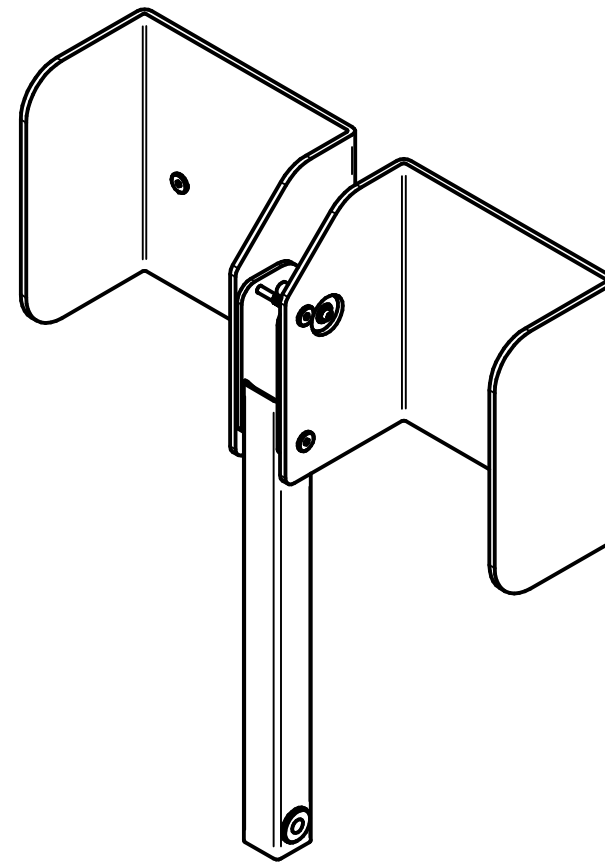
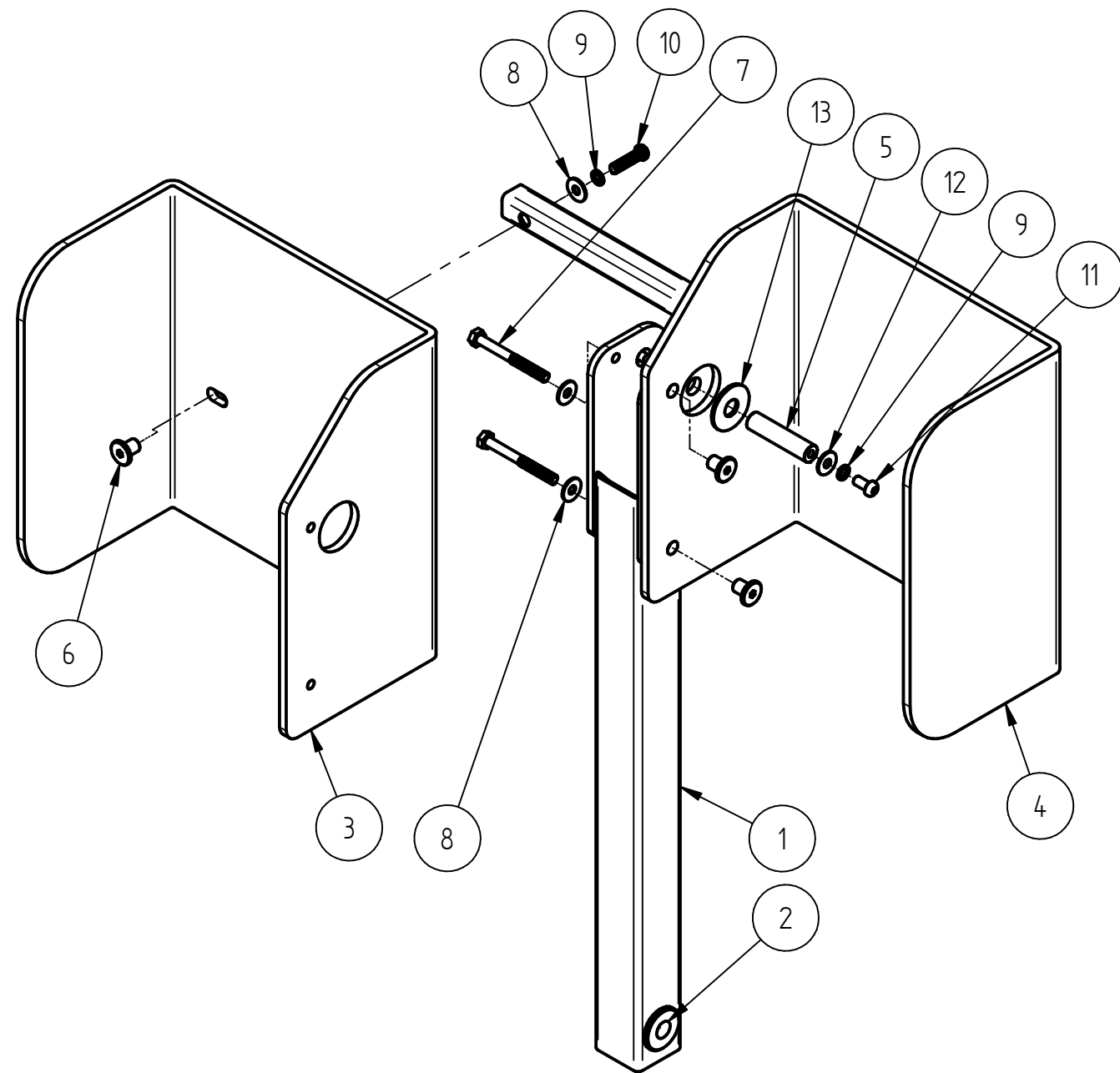


REAR VIEW

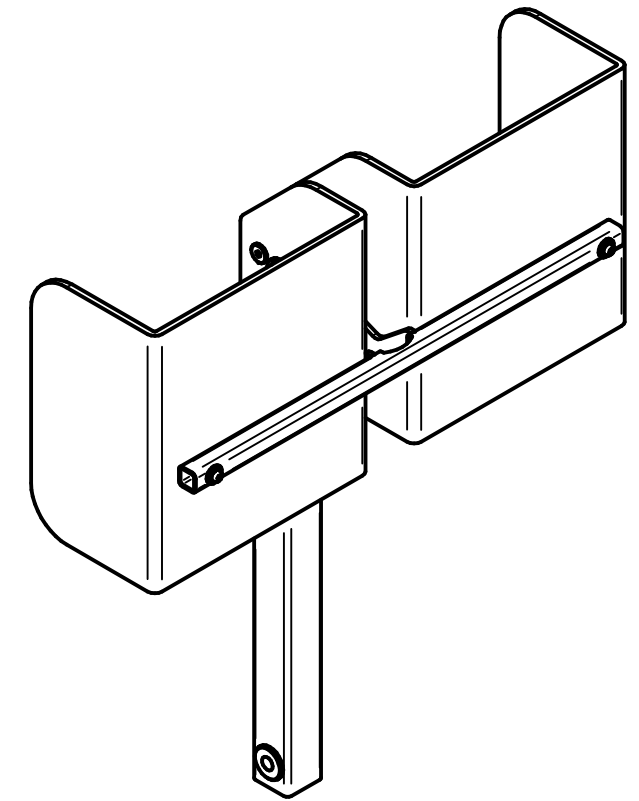
Item	Description	Code
1	Spreader	
2	ID 12mm Bushing	
3	Rubber Grommet	KSI-RB
4	Push Rod Assembly	KSI-AS-PR
5	Push Rod	
6	Rod End	
7	M8 Spring Washer	
8	M8 Nyloc Nut	



Item	Description	Code
1	Brake Pedal Weldment	
2	Grip Strip	KSI-GTAPE
3	Hex Brake Bar	
4	Rubber Grommet	KSI-RB
5	1/2" Light Plastic Washer	
6	M6 x 15mm Grade 8.8 Bolt	
7	M6 Light Washer	
8	M6 Spring Washer	

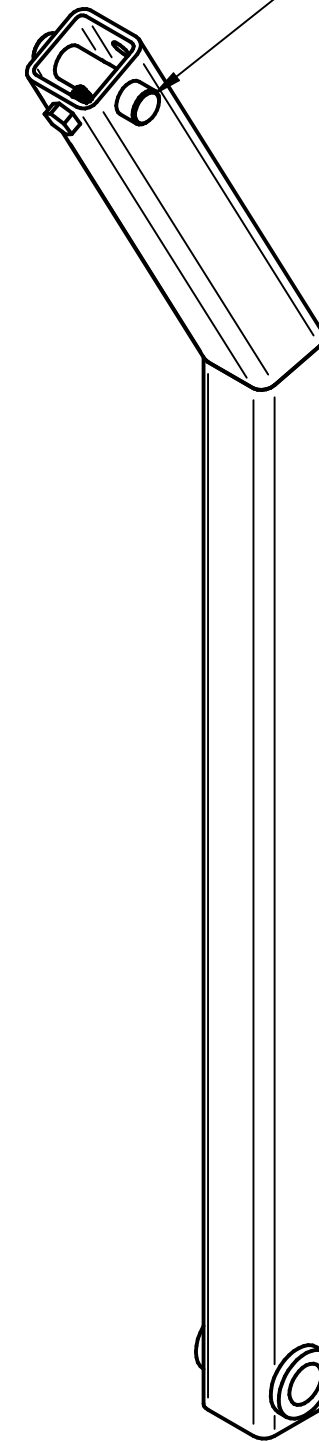
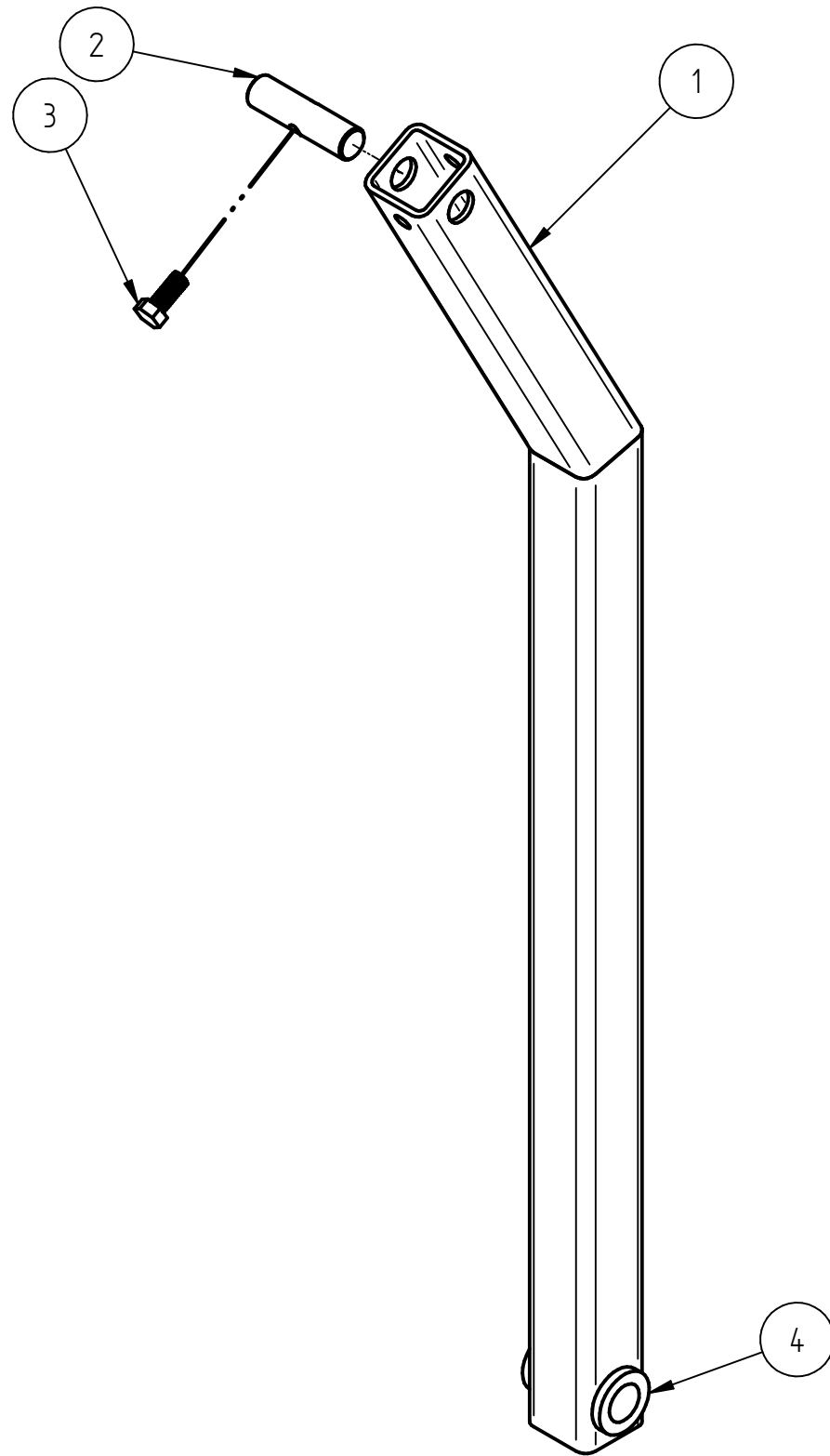


FRONT VIEW



REAR VIEW

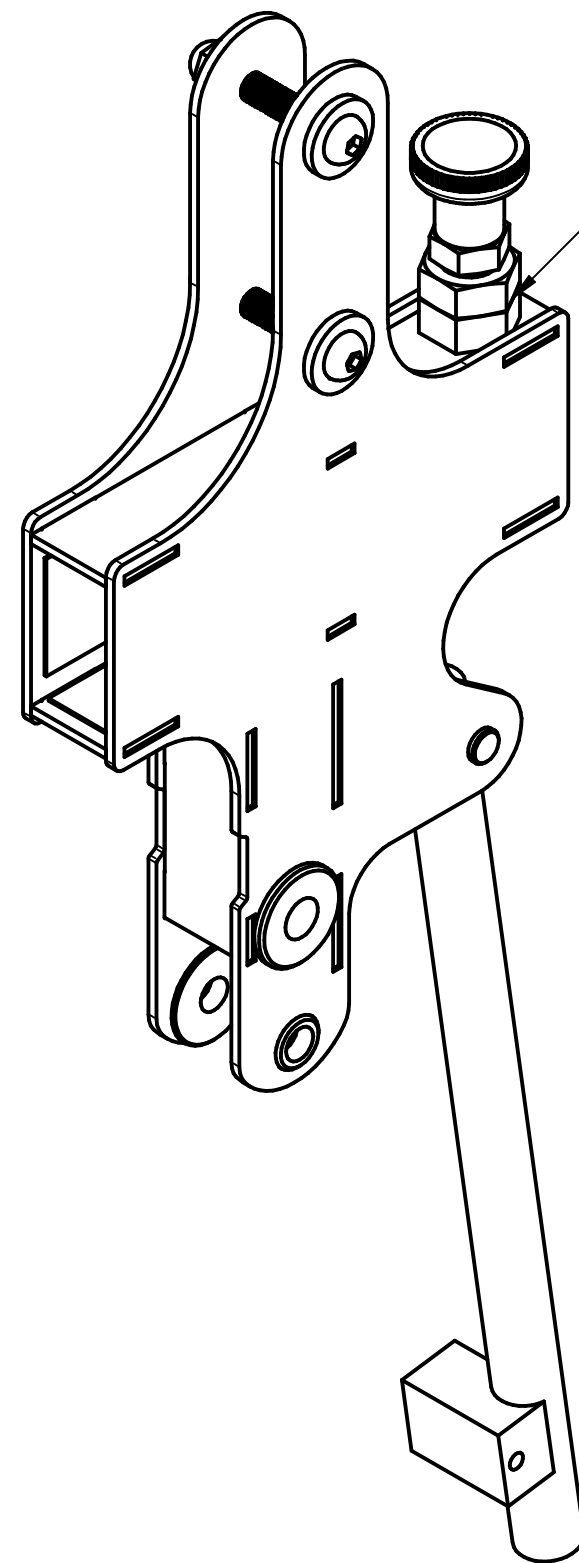
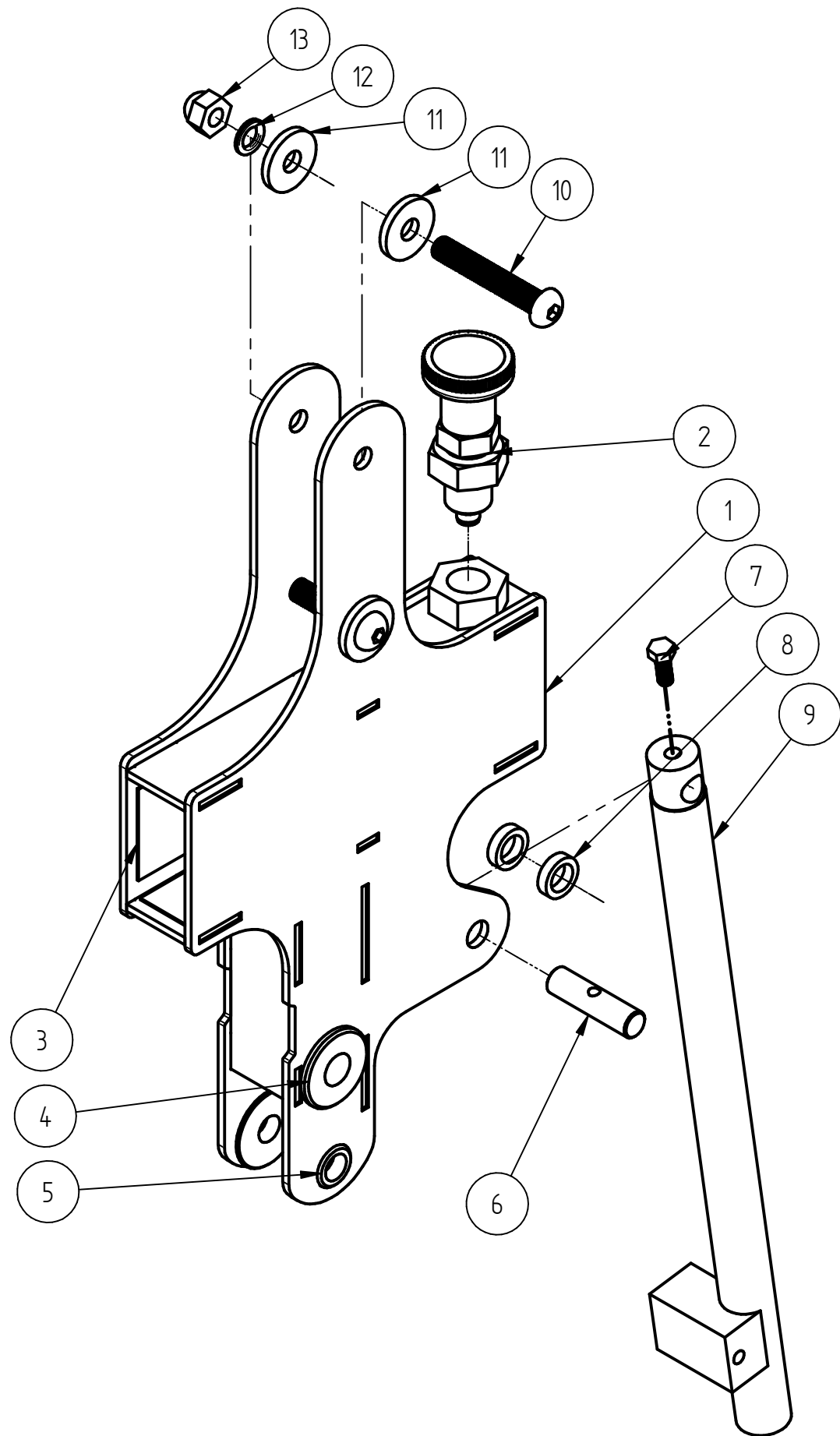
Item Number	Description	Code
1	Front Arm Weldment	
2	ID 12mm Bushing	
3	Knee Support LH	KSI-KSUP-L
4	Knee Support RH	KSI-KSUP-R
5	12mm Stainless Axle Pin	
6	M6 JCB Nut	
7	M6 x 60mm Grade 8.8 Bolt	
8	M6 Light Washer	
9	M6 Spring Washer	
10	M6 x 25mm Button Head Socket Screw	
11	M6 x 12mm Button Head Socket Screw	
12	M6 Heavy Washer	
13	M12 Light Washer	



CONNECTION POINT IS BOTTOM SET OF BUSHINGS IN HUB ASSEMBLY
 1. INSERT BAR BETWEEN BUSHINGS
 2. INSERT AXLE
 3. TIGHTEN SCREW INTO AXLE HOLE

NOTES:
 - Refer to replacement/maintenance documents for detailed assembly instructions

Item Number	Description	Code
1	Rear Arm Weldment	
2	10mm Stainless Axle Pin	
3	M5 x 12mm Bolt	
4	ID 12mm Bushing	



LEAVE 2mm THREAD EXPOSED ABOVE PLASTIC UNIT SO PIN IS FLUSH WITH INSIDE SURFACE

LOCKING STRUT (KSI-LS) NOT PART OF ASSEMBLY PURCHASE SEPERATELY

Item	Description	Code
1	Hub Weldment	
2	Indexing Pin	KSI-IP
3	Slide Strips	
4	ID 12mm Bushing	
5	ID 10mm Bushing	
6	10mm Stainless Axle Pin	
7	M5 x 12mm Grade 8.8 Bolt	
8	Locking Strut Top Spacer	
9	Locking Strut	KSI-LS
10	M8 x 50mm Button Head Cap Screw	
11	M8 Heavy Washer	
12	M8 Spring Washer	
13	M8 Dome Nut	